



B 150

STANDARD

Preheater
 Batteries and cables
 Electronic battery charger
 Fuel tank integrated in the chassis
 Flexible fuel hoses and oil drain valve
 Electrostatic powder painted chassis made of steel sheet welded
 Stainless galvanized steel design



OUTPUT VALUES

Standby Power			Prime Power		
kVA	kW	Ampere	kVA	kW	Ampere
150	120	216	135	108	194

DIESEL ENGINE Baudouin

ISO 8528, ISO 3046, BS 5514, DIN 6271 state-of-the-art engine brands with low fuel consumption, fuel pump mounted, mechanical or electronic type governor are used.

Brand	Baudouin
Model	6M11G150/5
Max Total Output Power (kWm/hp)	140/188
Cylinder Volume (lt)	6,75
Cylinder Arrangement	6 Single Lines
Bore x Stroke (mm*mm)	105*130
Governor Type	Electronic
Cycle (Rotation)	1500 RPM
Intake System	
Spray Type	Directly
Cooling Type	Water Cooled
Electric System (VCD)	24
Oil Capacity (lt)	16
Cooling Water Capacity (lt)	28
Fuel Consumption %50 (lt/h)	15,9
Fuel Consumption %75 (lt/h)	23,1
Fuel Consumption %100 (lt/h)	30,4



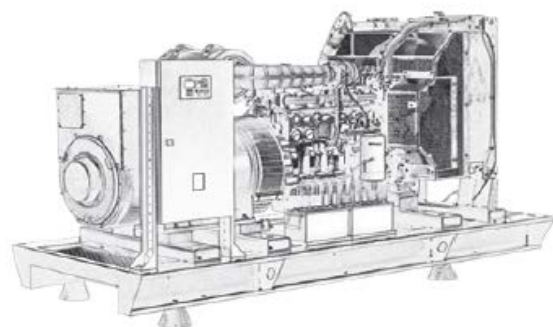
ALTERNATOR

4-pole self-excited brushless, synchronous alternator, maintenance-free bearing system, providing precise voltage adjustment with electronic type voltage regulator.

Output Voltage (V)	230/400
Frequency (Hz)	50
Permanent Voltage Reg. (\pm) (%)	0,01
Short Circuit Current	% 300 (10 sec)
Insulation Class	H
Protection Class	IP23
Efficiency(%)	93,3
Working Time at Overload	% 110 for 1 hour
Power Factor (cos Phi)	0,8
Total Harmonic Distortion Rate	% 3 less than
Connection Style	Phillips (Star)
Pole Number	4
Number of Beds	Single
Type	05

DIMENSIONS AND WEIGHT

CANOPY	Width (mm)	1100	OPEN	Width (mm)	1100
	Size (mm)	3050		Size (mm)	2600
Height (mm)	1700	Height (mm)	1450		
Weight (Kg)	1800	Weight (Kg)	1450		
Fuel Tank Capacity (Lt)	240	Fuel Tank Capacity (Lt)	240		



OPTIONAL FEATURES

- Sound insulation
- Transfer board
- Fuel water separator filter
- Alternator output switch
- Fuel tank heater
- Oil heater
- External fuel tank and transfer pump
- Remote monitoring and control
- Synchronization systems
- Special type exhaust silencer
- Trailer

CONTROL PANEL FEATURES



- Diesel and gas generator support
- 400 Hz generator support
- Event record with 400x measurement value
- All parameters can be changed from the front panel
- 3 level program password
- 128x64 pixel graphic LCD
- Language upload
- Current-voltage waveform
- Current-voltage harmonic analysis
- 16 Amp / 250V outputs
- 8 programmed digital inputs
- 6 programmed digital outputs
- 3 programmed analog inputs
- CANBUS-J1939 & MPU input
- 3 scheduled service alarms
- Multiple automatic test program
- Dual generator support, equal aging
- Fine speed adjustment (some ECUs)
- Automatic fuel pump control
- Protection cancellation feature
- Overpower protection
- Reverse power protection
- Overcurrent IDMT protection
- Load shedding, dummy load
- Multiple load shedding programs
- Current unbalance protection
- Voltage unbalance protection
- Fuel filling and theft alarms
- Battery backed real time clock
- Idle speed control
- Battery charging operation
- Battle mode support
- Multiple nominal condition definitions
- Contactor and motorized switch drive
- 4 quarter energy meters
- Network energy meters
- Fuel fill counter
- Fuel consumption counter
- Modem diagnostic page
- RS-232 and GPRS parameter setting
- Free configuration software
- SMS control facility
- Ready to watch the center
- Mobile generator support
- Automatic GSM geolocation
- GPS connection (RS232)
- Installing software via USB
- IP65 protection (with gasket)

